

# WYSE INDUSTRIAL CARTS

www.WYSECARTS.COM

419-923-7353

Wyse Industrial Carts

Fax 419-923-7354

## Wyse Commercial Delivery Ramps

The safer solution...  
when a truck dock isn't available.



We design delivery ramps for food distributors who value safety, ease of use and durability. These ramps are made from extruded aluminum, with a surface of double serrated-edge crossbars that grip well with the soles of your shoes, and our hand truck tires.

We build straight ramps with optional lift assist, and side storing folded ramps. Our ramps will fit in most carriers.

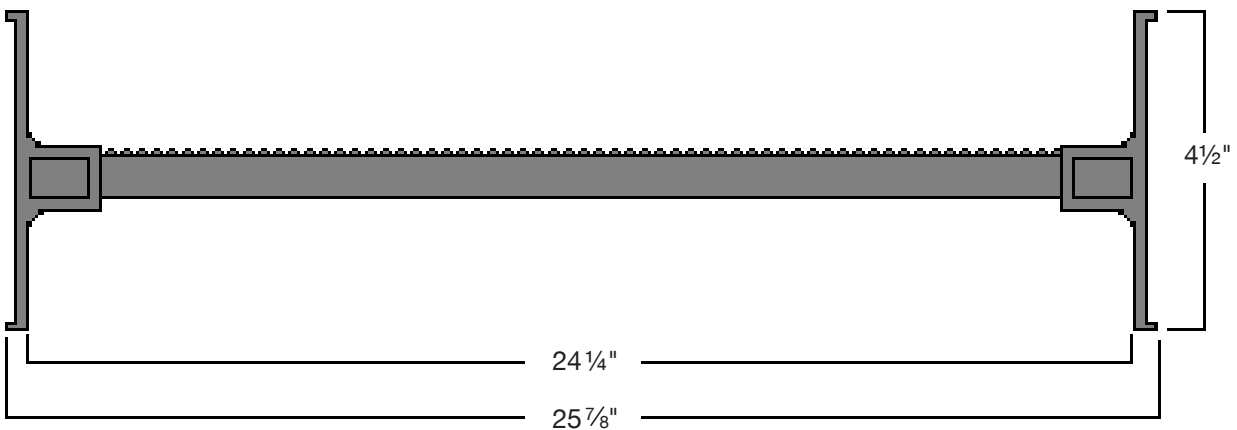


We also make under truck carriers for the ramps made from extruded aluminum. These carriers have stainless steel brackets so you can bolt or weld them under the trailer. These carriers will be about 100 lbs. lighter than steel carriers and will not rust. If you have any questions please call us at 419-923-7353.

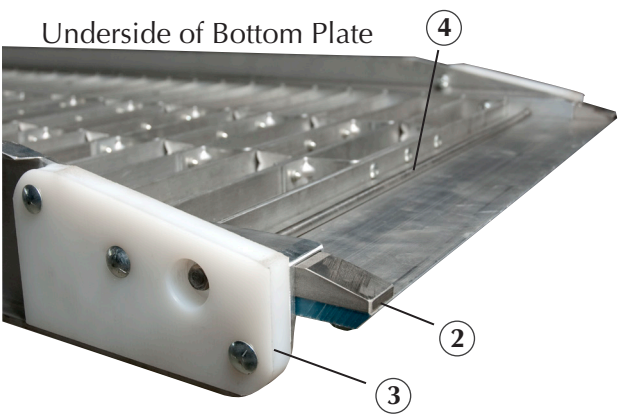
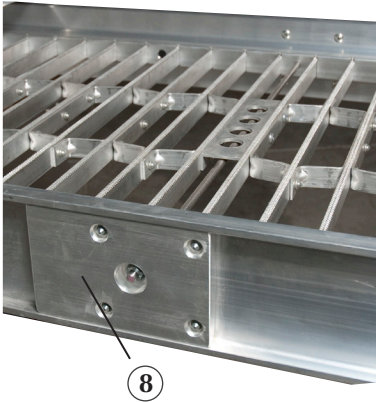
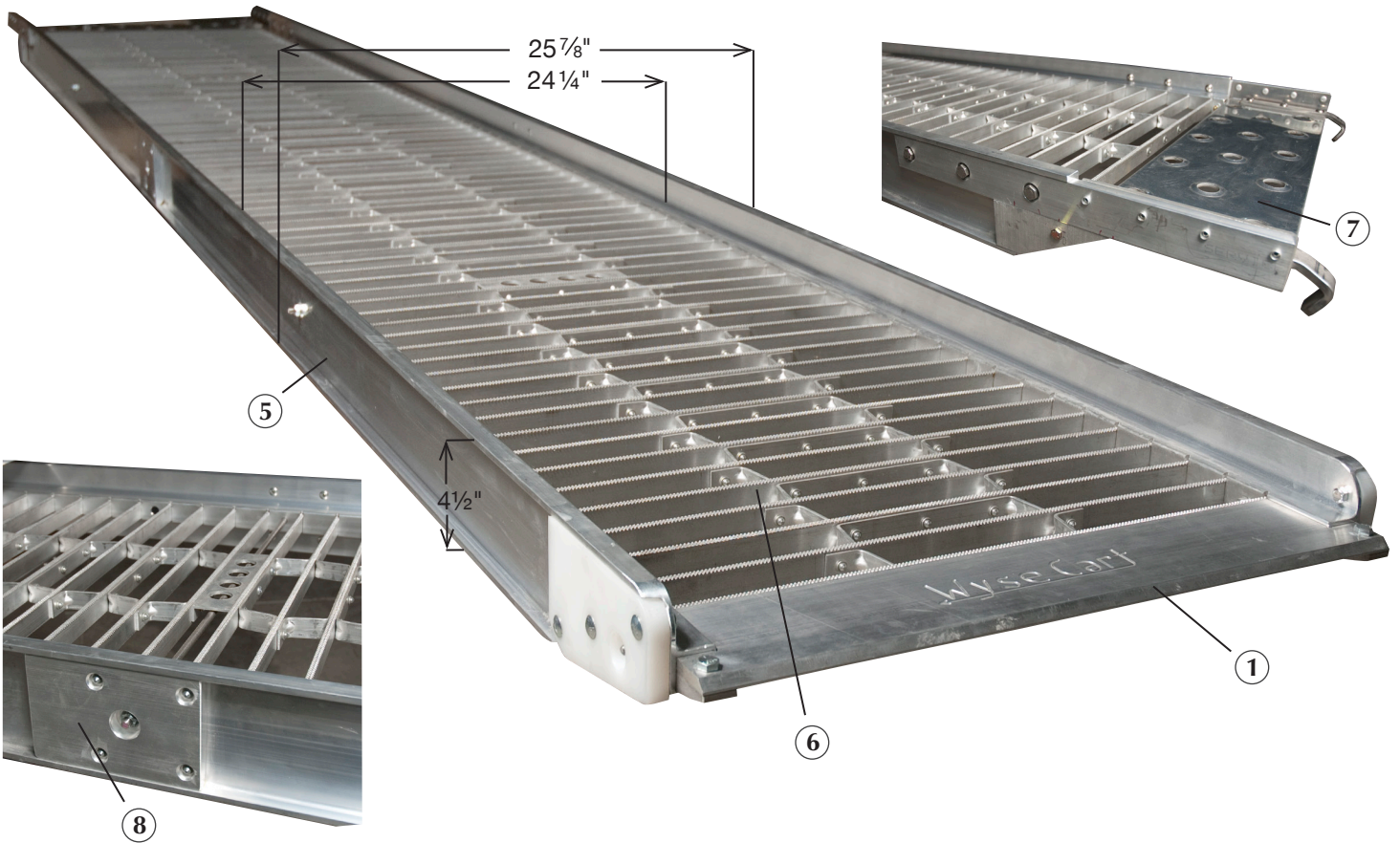
# WYSE INDUSTRIAL PORTABLE DELIVERY RAMP SPECIFICATIONS

COMPLETE RAMP	Ramp Height	CAPACITY	RAMP WIDTH OD	RAMP WIDTH ID	APPROX. WEIGHT	DECK HEIGHT RANGE
8 FT	4 ½ "	1000 LBS	25 7/8"	24 ¼ "	65 LBS	20-31"
10 FT	4 ½ "	1000 LBS	25 7/8"	24 ¼"	80 LBS	31-40"
12 FT	4 ½ "	1000 LBS	25 7/8"	24 ¼"	95 LBS	39-48"
14 FT	4 ½ "	1000 LBS	25 7/8"	24 ¼"	110 LBS	48-56"
16 FT	4 ½ "	900 LBS	25 7/8"	24 ¼"	125 LBS	56-64"

Walk ramps tested under simulated conditions with 450 lb. load and 250 lb. driver. Each ramp has a 1000 lb. work capacity. Ramp can be custom made for your individual needs.



**Warranty Period** for Wyse Ramps and Carriers for manufacturing defects is 5 years from date of purchase.



**Aluminum Straight Ramp**

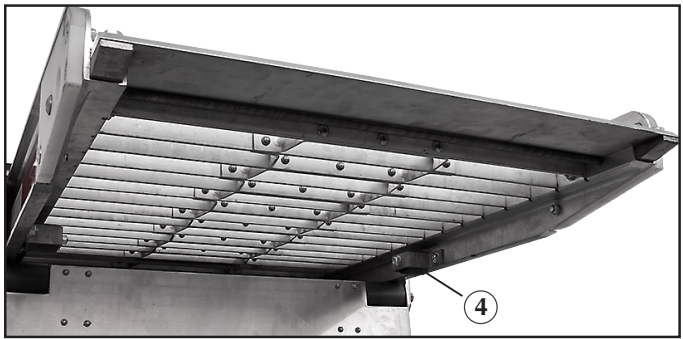
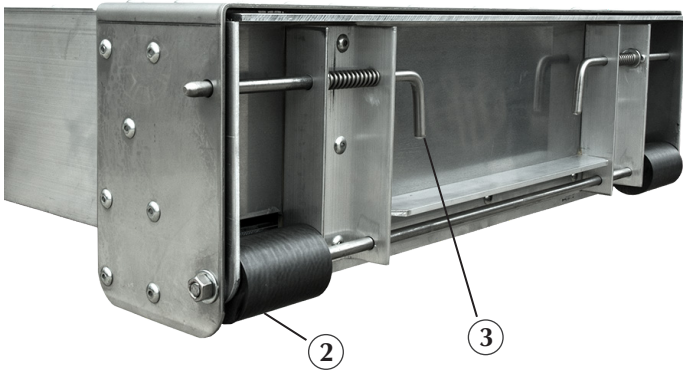
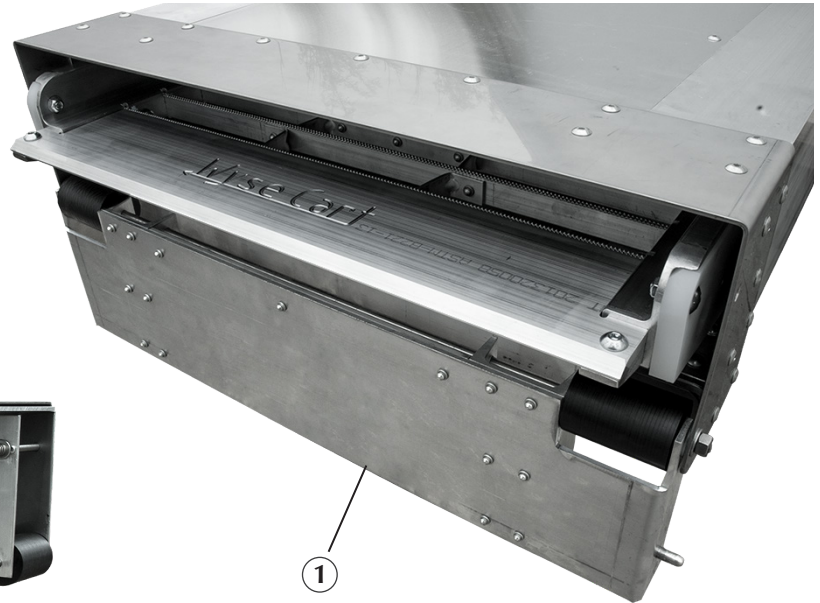
**Straight Ramp**

	Item	Cost
14' Ramp (*110 lbs)	SR22200	\$1,017.00
16' Ramp (*125 lbs)	SR22202	\$1,155.00
① Bottom Plate (each)	SR22204	\$58.00
② Stainless Steel Skid Bars (pair)	SR22206	\$35.00
③ UHMW Replaceable Pads (pair)	SR22208	\$35.00
④ Connecting Rods 4 (each)	SR22210	\$12.00
⑤ Side Rails 2 (each)	SR22212	\$280.00
⑥ Ramp Section 4 (each)	SR22214	\$120.00
⑦ Top End Plate (each)	SR22216	\$93.00
⑧ Wheel Blocks 2 optional	SR22218	\$35.00
Ramp Roller (each)	SR22220	\$5.00
Lift Assist	LA44400	\$500.00

\*Approximate weight

### Aluminum Straight Ramp Carrier

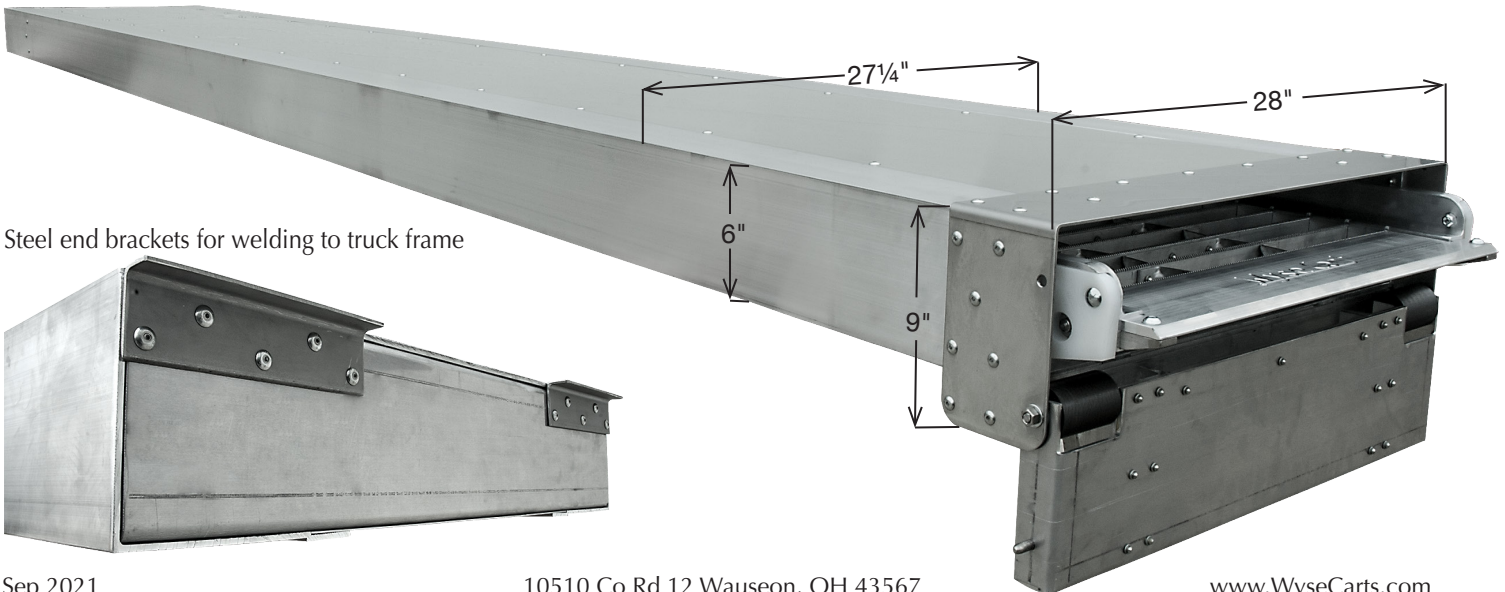
14' Ramp = 15'-2" Carrier  
 16' Ramp = 17'-2" Carrier



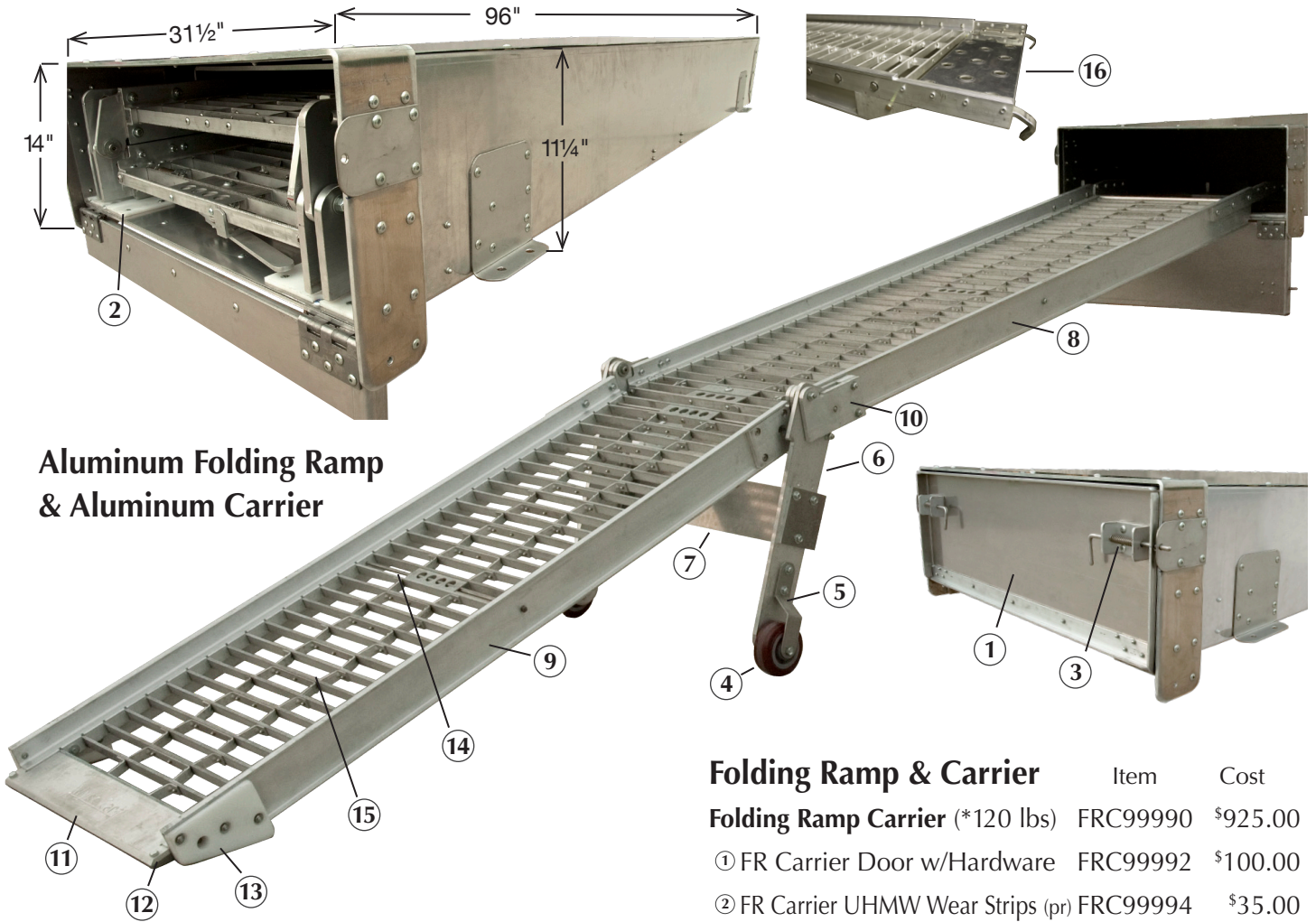
### Straight Ramp Carrier

	Item	Cost
14' Open Ramp Carrier (*121 lbs)	RC99900	\$775.00
14' Closed Ramp Carrier (*160 lbs)	RC99902	\$920.00
16' Open Ramp Carrier (*134 lbs)	RC99904	\$800.00
16' Closed Ramp Carrier (*178 lbs)	RC99906	\$950.00
① Ramp Door w/Hardware	RC99908	\$100.00
② Roller 3" (each)	RC99910	\$10.00
③ Latch Bolt (each)	RC99912	\$7.00
④ Ramp Roller (each)	SR22220	\$6.00

\*Approximate weight



Steel end brackets for welding to truck frame



**Aluminum Folding Ramp & Aluminum Carrier**

**Folding Ramp & Carrier**

	Item	Cost
<b>Folding Ramp Carrier</b> (*120 lbs)	FRC99990	\$925.00
① FR Carrier Door w/Hardware	FRC99992	\$100.00
② FR Carrier UHMW Wear Strips (pr)	FRC99994	\$35.00
③ FR Carrier Latch Bolt	FRC99996	\$7.00
<b>Folding Ramp</b> 162" (*150 lbs)	FR33300	\$1,500.00
④ Wheels 2 (each)	FR33302	\$25.00
⑤ Wheel Bracket 2 (each)	FR33304	\$17.00
⑥ Leg 2 (each)	FR33306	\$58.00
⑦ Crossmember (each)	FR33308	\$27.00
⑧ Top Side Rail 2 (each)	FR33310	\$170.00
⑨ Bottom Side Rail 2 (each)	FR33312	\$170.00
⑩ Hinge Assembly 2 (each)	FR33314	\$60.00
⑪ Bottom Plate (each)	FR33316	\$60.00
⑫ Skid Bars (pr)	FR33318	\$35.00
⑬ UHMW Replaceable Pads (pr)	FR33320	\$35.00
⑭ Connecting Rods 4 (each)	FR33322	\$12.00
⑮ Ramp Section 4 (each)	FR33324	\$120.00
⑯ Top End Plate	FR33326	\$93.00

\*Approximate weight

