

WYSE INDUSTRIAL CARTS

www.WYSECARTS.COM

419-923-7353

gene@WyseCarts.com

Fax 419-923-7354

Material Handling Equipment for Foodservice and Beverage Distributors manufacturing and direct sales

- Delivery Ramps
 - Hand Trucks
 - Load Bars
- with 2 patented brake systems



WYSE INDUSTRIAL CARTS

www.WYSECARTS.COM

419-923-7353

gene@WyseCarts.com

Fax 419-923-7354

Hand Trucks

Designed and built for Foodservice and Beverage Distributors
manufactured and sold direct by Wyse Industrial Carts



[Model 1000](#)



[Model 2000](#)



[Model 6000](#)



[Model 3000](#)

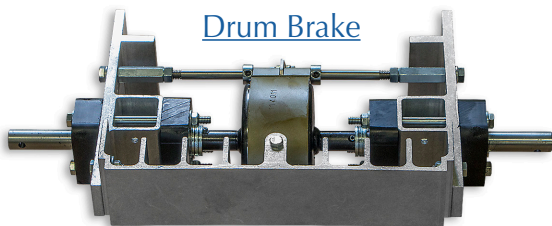


[Model 4000](#)

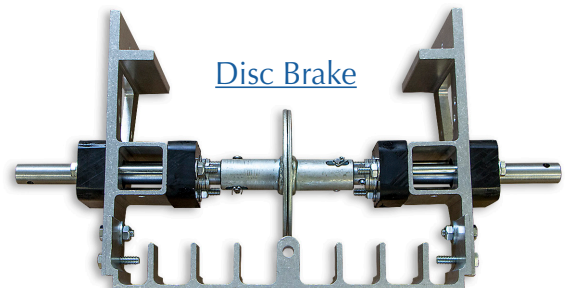
- Three Brake Systems to choose from
- 600 lb. Capacity
- Pneumatic Tires or Closed Cell Foam Tires
- 3 Year Limited Warranty- Brakes, Bearings, Frame, Workmanship



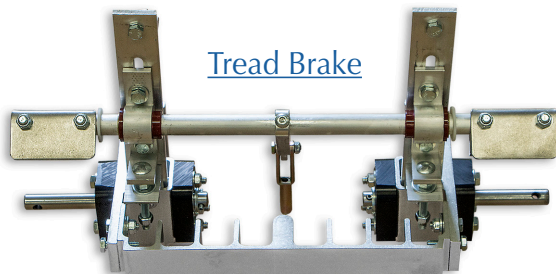
Universal
Bottom Frame



[Drum Brake](#)



[Disc Brake](#)



[Tread Brake](#)

Download PDFs:

Cart pricing & part no.- [Sep 2021 Prices and item numbers but no photos.](#)

Convertible Handtrucks- [Sep 2021 Convertible Handtrucks.](#)

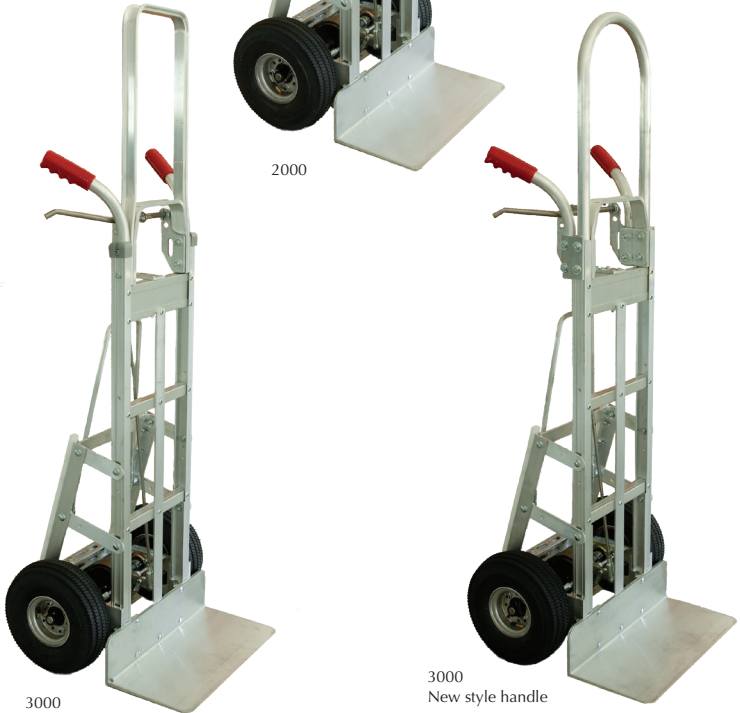
Delivery Ramp Catalog- [Sep 2021 Ramp Catalog.](#)



Model 1000	Item	Each
Standard w/ Grey Tires	1000108	555.00
Standard w/ Air Tires	1000110	540.00
Standard w/ Amerityre (hard tires)	1000112	574.00
55" Extension	1000114	23.00
60" Extension	1000116	26.00
New Style Handle (per cart)	NWHNDL	25.50
Handle w/ Comfort Sleeve	1000120	25.50
68" Extension with Double Wall	1000122	51.90



Model 2000	Item	Each
Standard w/ Grey Tires	2000218	555.00
Standard w/ Air Tires	2000220	540.00
Standard w/ Amerityre (hard tires)	2000222	574.00
Straight Loop 52"	2000224	46.00
Straight Loop 60"	2000226	52.00
Straight Loop 68"	2000228	68.00



Model 3000	Item	Each
Standard w/ Grey Tires	3000328	555.00
Standard w/ Air Tires	3000330	540.00
Standard w/ Amerityre (hard tires)	3000332	574.00
Double Grip - Left	3000336	12.00
Double Grip - Right	3000338	12.00
Extension 52"	3000340	21.00
Extension 55"	3000342	23.00
Extension 60"	3000344	26.00
Extension 68"	3000346	51.90
New Style Handle (per cart)	NWHNDL	25.30
45" Extension	3000348	11.00

Note: Cart Weight can range between 48 and 51 lbs.



4000



Beverage Cart

Model 4000	Item	Each
Standard w/ Grey Tires	4000438	555.00
Standard w/ Air Tires	4000440	540.00
Standard w/ Amerityre (hard tires)	4000442	574.00
Straight Loop 55" Extension	4000444	47.20
Straight Loop 60" Extension	4000446	51.60
Straight Loop 68" Extension	4000448	63.55

Beverage Cart	Item	Each
Beverage Cart w/ Air Tires	5000550	425.00
Beverage Cart w/ Amerityre (hard tires)	5000552	440.00
Beverage Cart w/ Grey Tires	5000554	459.00



6000



7000

Model 6000	Item	Each
Standard w/ Grey Tires	6000658	555.00
Standard w/ Air Tires	6000660	540.00
Standard w/ Amerityre (hard tires)	6000662	574.00
Double Loop Grip 55"	6000664	46.00
Double Loop Grip 60"	6000666	52.00
Double Loop Grip 68"	6000668	68.00
Wheels or Flat Plastic on Handle	6000670	18.50

Model 7000	Item	Each
Standard w/Grey Tires	7000668	595.00
Standard w/Air Tires	7000770	580.00
Standard w/Amerityres	7000772	609.00
60" Model 7000 Handle	7000774	106.00



8000

Model 8000	Item	Each
Convertible Cart w/ Air Tires	8000880	419.00
Convertible Cart w/ Amerityres	8000882	453.00
Convertible Cart w/ Grey Tires	8000884	434.00
Solid Deck (extra)	8000886	95.00

Note: Cart Weight can range between 48 and 51 lbs.



model 11000

Model 9000	Item	Each
Convertible Cart w/ Air Tires	9000900	455.00
Convertible Cart w/ Amerityres	9000902	466.00
Convertible Cart w/ Grey Tires	9000904	483.00
Solid Deck (extra)	9000906	110.00

Model 11000	Item	Each
28.5 x 47.5 Four Wheel Cart	11000110	Quote
28.5 x 59.5 Four Wheel Cart	11000112	Quote



New handle style
model 1000



New handle style
model 3000

Hand Trucks without Brake System

Carts without Brake System	Item	Each
Cart (no brake) w/Amerityres - Any Model Cart		437.00
Cart (no brake) w/Air Tires - Any Model Cart		375.00
Cart (no brake) w/Grey Tires - Any Model Cart		418.00

Hand Truck Hardware

Hand Truck Frames	Item	Each
Straight Back w/ 1 Strap	F11102	90.00
Side Channel Reinforcement	F11104	16.00
Extractor Handle Kit	F11106	31.90
2" Frame Extension (set)	F11108	32.00
4" Frame Extension (set)	F11110	32.00
6" Frame Extension (set)	F11112	32.00
Extractor Handle Spring (set)	F11114	2.99
Plastic End Frame Cap	F11116	3.25



Frames



Side reinforcements

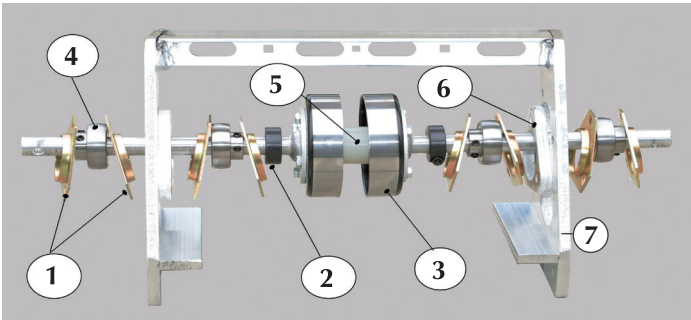


Extensions



Grips

Universal Hardware	Item	Each
Complete Stairclimber	HT99902	37.00
Right Stairclimber Bar	HT99904	12.50
Left Stairclimber Bar	HT99906	12.50
Top "U" Bracket For Stairclimber	HT99908	9.00
Stairclimber Brace (each)	HT99910	5.75
Stairclimber Wear Stips (plastic-set)	HT99912	12.50
Wings 32" (pair)	HT99914	48.00
Modified Wings 18" (pair)	HT99916	37.50
Plastic Handle Grips	HG999	3.25

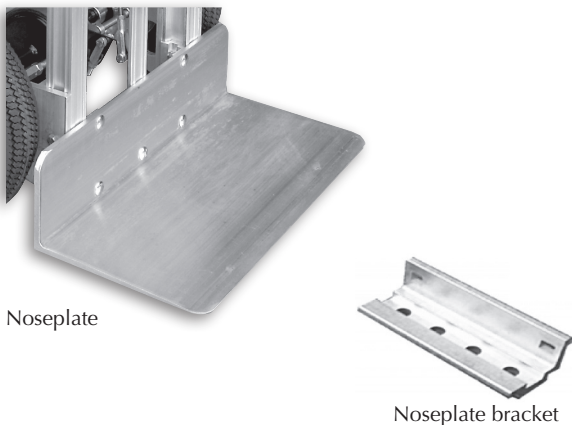


Hand Truck Brake System

	Item	Each
Bearing Flanges (#1)	HTB9902	3.00
Shaft Collars (each) (3/4") (#2)	HTB9904	3.90
Split Axel (each side) (#3)	HTB9906	30.00
Drum Brake Bearings (#4)	HTB9908	11.45
Plastic Sleeve (#5)	HTB9910	7.00
Bearing Spacers (#6)	HTB9912	4.45
Brake Frame (#7)	HTB9914	90.20
Brake Band Assembly (#8)	HTB9916	44.10
Brake Band Bolt	HTB9918	9.70
Brake Frame Assembly - Complete	HTB9920	267.20
Brake Handle - Model 3000 (#9)	HTB9922	25.05
Brake Handle - Model 6000 (#9)	HTB9924	25.05
Brake Rod Plate - Model 3000, 4000, 6000	HTB9930	9.00
Brake Rod Plate - Model 1000	HTB9932	9.00
Brake Rod T-handle - Model 1000 (#10)	HTB9934	20.00
Brake Rod T-handle - Model 2000 (#10)	HTB9936	20.00
Brake Rod T-handle - Model 3000 (#10)	HTB9938	20.00
Brake Rod T-handle - Model 4000 (#10)	HTB9940	20.00
Brake Rod T-handle - Model 5000 (#10)	HTB9942	20.00
Brake Rod T-handle - Model 6000 (#10)	HTB9944	20.00
Brake Spring (each)	HTB9946	2.00
Chicken Shield (#11)	HTB9948	30.00
Clevis Bolt (#12)	HTB9950	9.65
Clevis Pins (each)	HTB9952	1.00
Steel Hub	HTB9954	11.95
Aluminum Rims (set)	HTB9956	9.00
Complete Axel Set	HTB9958	136.85
Brake Handle Bracket Set (Model 3000 & 6000)	HTB9960	13.00

Hand Truck Noseplates

	Item	Each
14" x 9"	N22202	39.00
16" x 9"	N22218	44.00
16" x 12"	N22204	60.00
18" x 7 1/2"	N22206	44.00
18" x 9"	N22208	45.00
18" x 12"	N22210	62.00
20" x 9"	N22212	55.00
20" x 12"	N22214	68.00
Noseplate Bracket (set) (#2)	N22216	12.00



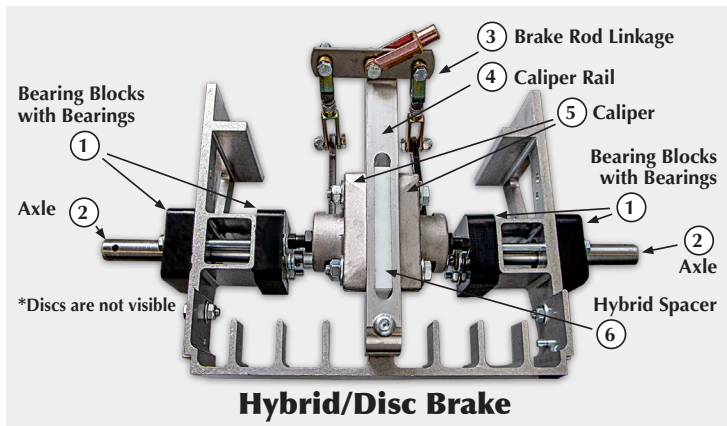
Disc Brake

Improved performance.
Fits our original Heavy Duty
line of two-wheel hand
trucks.



Hybrid Brake

A Disc brake that functions
like our Drum Brake.



Hybrid/Disc Brake

Standard w/ Air Tires	2000220Disc	555.00
Standard w/ Amerityre (hard tires)	2000222Disc	543.00

Model 1000 Disc Brake

	Item	Each
Standard w/ Grey Tires	1000108Disc	570.00
Standard w/ Air Tires	1000110Disc	555.00
Standard w/ Amerityre (hard tires)	1000112Disc	589.00
55" Extension	1000114	23.00
60" Extension	1000116	26.00
New Style Handle (per cart)	NWHNDL	25.50
Handle w/ Comfort Sleeve	1000120	25.50
68" Extension with Double Wall	1000122	53.90

Model 2000 Disc Brake

	Item	Each
Standard w/ Grey Tires	2000218Disc	570.00
Standard w/ Air Tires	2000220Disc	555.00
Standard w/ Amerityre (hard tires)	2000222Disc	589.00
Straight Loop 52"	2000224	46.00
Straight Loop 60"	2000226	52.00
Straight Loop 68"	2000228	68.00

Model 3000 Disc Brake

	Item	Each
Standard w/ Grey Tires	3000328Disc	570.00
Standard w/ Air Tires	3000330Disc	555.00
Standard w/ Amerityre (hard tires)	3000332Disc	589.00
Double Grip - Left	3000336	12.00
Double Grip - Right	3000338	12.00
Extension 52"	3000340	21.00
Extension 55"	3000342	23.00
Extension 60"	3000344	26.00
Extension 68"	3000346	53.90
New Style Handle (per cart)	NWHNDL	25.30
45" Extension	3000348	11.00

Model 4000 Disc Brake

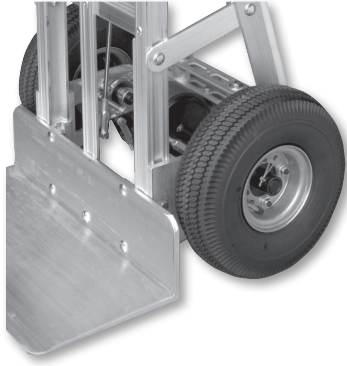
	Item	Each
Standard w/ Grey Tires	4000438Disc	570.00
Standard w/ Air Tires	4000440Disc	555.00
Standard w/ Amerityre (hard tires)	4000442Disc	589.00
Straight Loop 55" Extension	4000444	47.20
Straight Loop 60" Extension	4000446	51.60
Straight Loop 68" Extension	4000448	63.55

Model 6000 Disc Brake

	Item	Each
Standard w/ Grey Tires	6000658Disc	570.00
Standard w/ Air Tires	6000660Disc	555.00
Standard w/ Amerityre (hard tires)	6000662Disc	589.00
Double Loop Grip 55"	6000664	46.00
Double Loop Grip 60"	6000666	52.00
Double Loop Grip 68"	6000668	68.00
Wheels or Flat Plastic on Handle	6000670	22.00

Hand Truck Disc Brake System

	Item	Each
Disc Brake Frame	Disc 9910	90.20
Disc Brake Axle (2)	Disc 9912	15.50
Needle Bearing (4)	Disc 9914	11.00
Bearing End Cap (4)	Disc 9916	2.50
Felt Washer (4)	Disc 9918	1.65
Disc Brake Assembly - Complete	Disc 9920	317.00
Set of Discs (per set)	Disc 9922	46.20
Disc Brake Caliper (left or right)	Disc 9924	41.95
Caliper Rail	Disc 9926	25.00
Washer, Spacer, Rollpin Kit	Disc 9928	8.00
Disc Brake Rod Plate	Disc 9930	9.00
Disc Brake Rod Stabilizer (nylon)	Disc 9932	9.00
Disc Brake Rod - Model 1000	Disc 9934	20.00
Disc Brake Rod - Model 2000	Disc 9936	20.00
Disc Brake Rod - Model 3000	Disc 9938	20.00
Disc Brake Rod - Model 4000	Disc 9940	20.00
Disc Brake Rod - Model 6000	Disc 9944	20.00



Hand Truck Tires & Wheels

	Item	Each
410/350/4 4 Ply Air Tire Mounted	T99904	34.00
410/350/4 4 Ply Grey Air Tire Mounted	T99908	37.50
Tubes	T99910	6.00
350/4 Air Tires - Grey	T99912	21.65
350/4 Air Tires - Black	T99914	16.65
Spare Tire Holder	T99916	35.00
Amerityre Tire Mounted (solid tire)	T99918	47.00
Amerityre Tire Unmounted (solid tire)	T99920	37.00

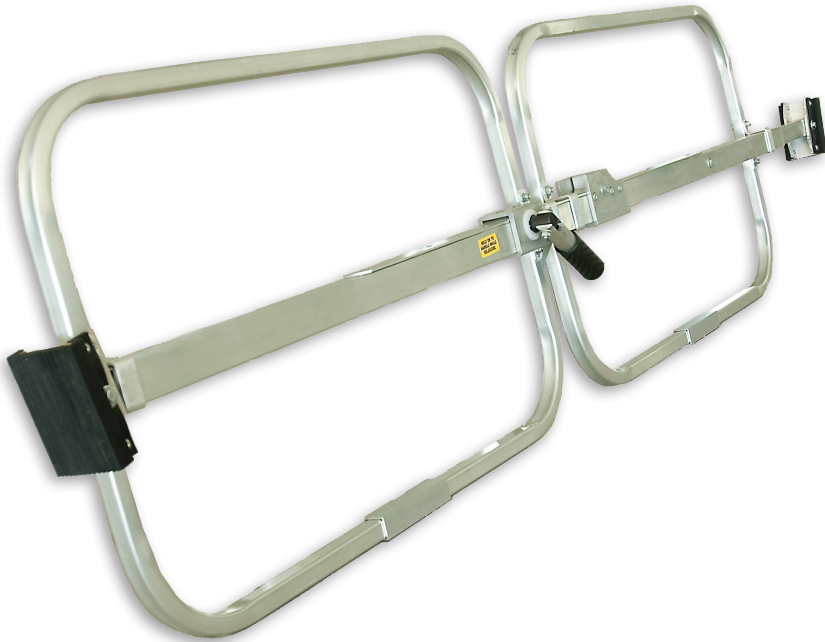
New Closed Cell Foam Tires

	Item	Each
Wyse Tire without Hub	T99922	36.75
Wyse Tire w/ Wyse Hub	T99924	41.00
Wyse Tire w/ Hub to Fit 5/8" Axle	T99926	41.00
Wyse Tire w/ Hub to Fit 3/4" Axle	T99928	41.00



Load Bars

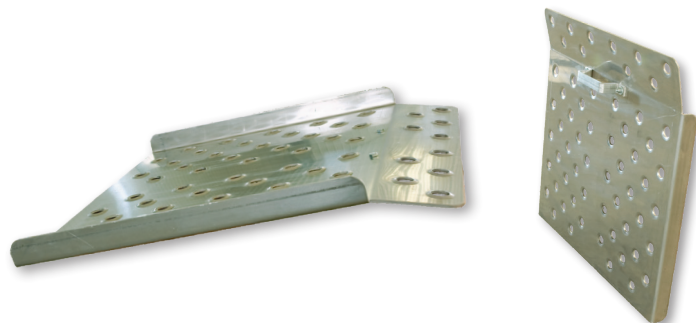
	Item	Each
Cargo Bracing Bar - Standard	LB22200	164.00
Cargo Bracing Bar w/ Wing	LB22202	215.00
13" Spring	LB22204	11.00
Adjusting Tube - 29 1/2"	LB22206	19.50
Feet	LB22210	15.50
Flat Drive Gear	LB22212	18.00
Flat Ratchet Gear	LB22214	15.50
Handle	LB22216	24.00
Main Tube	LB22218	47.00
Paw	LB22220	11.85
Short Tube Drive End	LB22222	23.00
Snap Rings	LB22224	0.75
UHMW Bearings	LB22226	4.99
Cargo Wing	LB22228	51.00
Drive Gear	LB22230	21.00
Load Bar Cylinder	LB22232	24.00



Can't find what you're looking for? Wyse Industrial Carts does custom work upon request.

Curb Ramps

	Item	Each
27 x 27	CR99902	137.00
27 X 36	CR99908	184.00
27 X 45	CR99910	198.00
30 X 30	CR99904	150.00
Truck to Truck Ramp	CR99906	*QUOTE



Note: Cargo Bracing Bar w/ Wings weigh 22 lbs.

Delivery Ramps

Ramps make safer street deliveries

Call 419-923-7353 for pricing and info on ramp features.



Side storing ramp folding model with fixed wheels
Storage compartment under trailer by side door, ramp stores across trailer.



Side storing ramp folding model with detachable wheels
This model also stores across trailer by side door.



Backdoor storing ramp with detachable wheels
Storage compartment mounts below trailer under back door. This unit does not fold.

Wyse Industrial Carts does custom work upon request.



Ramps without wheels are also available

